

## Food Processor K120-Vertical Cutter-Mixer 3gal (12QT), 2 speed-s/s bowl

ITEM # \_\_\_\_\_

MODEL # \_\_\_\_\_

NAME # \_\_\_\_\_

SIS # \_\_\_\_\_

AIA # \_\_\_\_\_



600085 (K120S2U)

K120FU S/S CUTTER-MIXER  
12.2QT

### Short Form Specification

**Item No.** \_\_\_\_\_

K120FU-Vertical Cutter/Mixer, bench-style, two speed, 12.2 quart bowl capacity, removable bowl design, stainless steel bowl with clear BPA-free lid, metal housing, 1260 or 2480 rpm, 3 HP, 208-240v/60/3, 15.0 amps

### Main Features

- Cutter mixer allows fast liquidizing, mixing, mincing, chopping and pastry-making.
- Lid with opening to add ingredients in mid-cycle.
- Base fixed cover for a better handling.
- Pulse function to coarse chopping.
- Productivity suitable for 100-200 meals per service.
- Delivered with:-3gal (12.2qt or 11.5lt) stainless steel bowl with max liquid level indication to avoid spillage-micro toothed perforated blade-scraper
- Angled perforated knives and conical base of the bowl ensure consistent mixing.
- Cover metal frame to ensure seal water tightness to avoid leakage.
- All parts in contact with food are removable without tools and dishwasher safe.

### Construction

- 2 speeds: 1500 and 3000 rpm.
- Power: 2200 watts.
- IP65 touch button control panel.
- Transparent polycarbonate cover incorporates a magnetic contact safety system.
- 304 AISI stainless steel bowl with leak resistant spout and handles, easy to manage.
- Scraper with Stainless Steel handle, easy to dismount.
- Cover handle with double safety locking system.
- For user safety, user is required to press the start button to restart the machine after a power cut off.
- Asynchronous silent industrial motor for heavy duty and longer life.

### Included Accessories

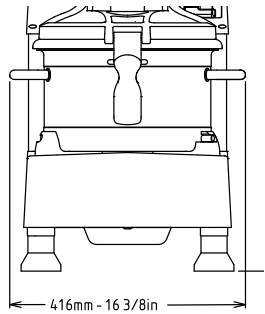
- 1 of Scraper for K120S cutter mixer PNC 650059
- 1 of Micro-toothed blade rotor for PNC 650060 12.2qt cutter mixer
- 1 of Bowl, 12.2 quart, for cutter/ PNC 650073 mixer, stainless steel

### Optional Accessories

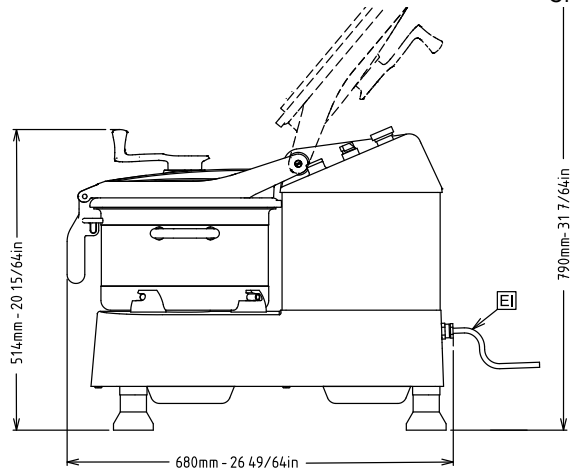
- Scraper for K120S cutter mixer PNC 650059
- Micro-toothed blade rotor for PNC 650060  12.2qt cutter mixer
- Bowl, 12.2 quart, for cutter/mixer, PNC 650073  stainless steel
- Mobile stand, stainless steel PNC 653017
- Blade rotor, serrated, for 12.2 PNC 653299  quart cutter/mixer
- Serrated blade rotor for meat for PNC 653538  11,5 lt cutter mixer

APPROVAL: \_\_\_\_\_

Front

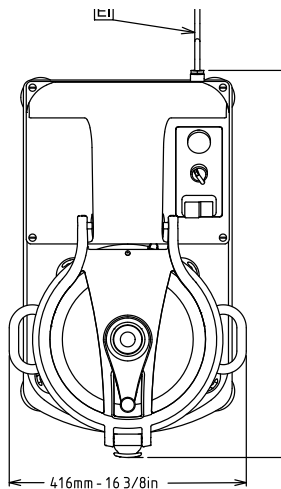


Side



EI = Electrical connection

Top


**Electric**

Supply voltage:	208-240 V/3 ph/60 Hz
Total Watts:	2.2 kW
Plug type:	Cable without plug

**Key Information:**

External dimensions, Width:	16 3/8" (416 mm)
External dimensions, Depth:	26 3/4" (680 mm)
External dimensions, Height:	20 3/8" (517 mm)
Shipping width:	20 1/4" (515 mm)
Shipping depth:	31 11/16" (805 mm)
Shipping height:	31 5/16" (795 mm)
Shipping weight:	165 lbs (75 kg)